



ELECTRONICS
DESIGN &
MANUFACTURING

Solution 880 Quick Reference Guide

ISSUE 1.60



YEAR 2000
Compliant

Proudly Australian


Solution 880

Quick Reference Guide

Copyright © 2002 by Electronics Design and Manufacturing Pty Limited,
SYDNEY, AUSTRALIA

Document Part Number MA408Q

DOCUMENT ISSUE 1.50

Printed 21 March 2002

This documentation is provided to suit the *Solution 880* control panel (CC408).

Firmware Revision 1.00 – 1.09

Hardware Revision A - J

Alarm Link required = 2.74 or higher

Control Panel Software Version 1.00 – 1.09 = S408_V10

Copyright Notice

All rights reserved. No part of this publication may be reproduced, transmitted or stored in a retrieval system in any form or by any means, electronic, mechanical, photocopying, recording, or otherwise, without the prior written permission of Electronics Design and Manufacturing Pty Limited.

Trademarks

Throughout this document trademark names may have been used. Rather than put a trademark symbol in every occurrence of a trademark name, we state that we are using the names only in an editorial fashion and to the benefit of the trademark owner with no intention of infringement of the trademark.

Notice of Liability

While every precaution has been taken in the preparation of this document, neither Electronics Design and Manufacturing Pty Limited nor any of its official representatives shall have any liability to any person or entity with respect to any liability, loss or damage caused or alleged to be caused directly or indirectly by the information contained in this book.

Electronics Design and Manufacturing Pty Limited reserves the right to make changes to features and specifications at any time without prior notification in the interest of ongoing product development and improvement.

Introduction

Thank you for choosing the Solution control panel for your installation. We are sure that you will find this system extremely flexible, reliable and easy to use. The quick reference guide is supplied with the system to provide users with enough basic information to wire, configure and program the system. Due to the systems many programmable features and options, we suggest that you obtain the complete installation manual that provides detailed information on system options and functions and programming methods.

Programming

The programming options of the system are stored in a non-volatile EPROM. This memory will hold all information during a total power loss and can be changed as many times as required.

In general, the entire programming sequence will consist of entering a location number and then change the data as required.

Programming the system can be via the following methods:

- Codepad
- Hand Held Programmer
- Alarm Link Software

Programming Using A Codepad

The system needs to be disarmed (with no active alarm) to program the system. If there is an active alarm or the system is armed, enter the code for User 1 (Default = 2580) followed by the # key (User Code 1 is factory default as the Master Code).

To enter installer's programming mode, enter the installer code (Default = 1234) followed by the # key. Two beeps will be heard and both the STAY and AWAY indicators will flash simultaneously to indicate that you have entered programming mode. The codepad indicators will display the current data programmed in LOCATION 000 (First location of the Primary Telephone Number).

To move to another programming location, enter the location number followed by the # key. The data in the new location will now be displayed via the codepad indicators (eg. If you entered 34#, the system will jump you to LOCATION 034 the beginning of the Subscriber ID Number For Receiver 1).

To move to the next location, press the # key. This will step you to the next location. The data in the next location will now be displayed via the Codepad indicators (eg. If you are currently positioned at LOCATION 034, pressing the # key will take you to LOCATION 035).

To step back one location, press the * key (eg. If you are currently positioned at LOCATION 35, pressing the * key will take you back to LOCATION 34).

To change data in the current location, enter the new value (0 – 15) followed by the * key. This will store the new data into the location and leave you at the same location (eg. If you enter the value 14*, both the Zone 4 indicator and the MAINS indicator will display to represent the new data value).

To move to the next location, press the # key. The data in the next location will now be displayed.

To exit Installer's Programming Mode, enter 960#. Two beeps will be heard and the STAY and AWAY indicators will no longer display. The system has now returned to the disarmed state and is now ready for use.

Below is a quick guide to programming:

Enter Installer's Programming Mode	1234#
Exit Installer's Programming Mode	960#
Step To Next Location	#
Step Back One Location	*
Program New Data Into Location	Data + * (Data = 0 – 15)
Jump To Another Location	Location No. + #

Codepad Indicators

Data Value	Zone 1 Indicator	Zone 2 Indicator	Zone 3 Indicator	Zone 4 Indicator	Zone 5 Indicator	Zone 6 Indicator	Zone 7 Indicator	Zone 8 Indicator	MAINS Indicator
0									
1	X								
2		X							
3			X						
4				X					
5					X				
6						X			
7							X		
8								X	
9	X							X	
10									X
11	X								X
12		X							X
13			X						X
14				X					X
15					X				X

Programming Option Bits

You will notice option bits throughout the quick reference guide. This allows you to program any combination of the four different options in the one location by adding the options together. Programming a zero (0) will disable all four options.

Example

If at LOCATION 177 you only want options 1, 2 and 4, add the numbers together and the total is the number to be programmed. In this example, the number to be programmed is 7 (eg. 1 + 2 + 4 = 7).

Option	Description
1	Dialler Reporting Functions Allowed
2	Remote Arming Via Telephone Allowed
4	Answering Machine Bypass Only When Armed
8	Use Bell 103 For FSK Format (Disabled = CCITT V21)

Installer's Programming Commands

These commands can only be used when you enter Installer's Programming Mode. Enter the command followed by the # key.

Command	Description
958	Enable/Disable Zone Status (Hand Held Programmer Required)
959	Test Programming Key
960	Exit Installer's Programming Mode
961	Default System Back To Factory Settings
962	Copy Panel Memory To Programming Key
963	Copy Programming Key To Panel Memory
964	Erase Programming Key
965	Default System For Domestic Dialling Format
966	Enable/Disable Automatic Stepping Of Locations When Programming
999	Display Software Version (Hand Held Programmer Required)

Arming The System (On)

AWAY Mode

1. Press and hold the # key until two beeps are heard.

Or
2. Enter your code followed by the # key.
[eg. 2580 + #].

STAY Mode 1

1. Press and hold the * key until two beeps are heard.

Or
2. Enter your code followed by the * key.
[eg. 2580 + *].

STAY Mode 2

1. Press and hold the 0 key until two beeps are heard.

Arm All Areas In AWAY Mode

1. Enter your code followed by 0 and then the # key [eg. 2580 + 0 + #].

This function allows a code to arm all areas that the code is assigned to in AWAY Mode at the same time without the need to arm each area individually.

Disarming The System (Off)

AWAY Mode

1. Enter your code followed by the # key.
[eg. 2580 + #].

STAY Mode 1

1. Press and hold the * key until two beeps are heard (Only if no alarm).

Or
2. Enter your code followed by the # key.
[eg. 2580 + #].

STAY Mode 2

1. Press the 0 key until two beeps are heard (Only if no alarm).

Or
2. Enter your code followed by the # key.
[eg. 2580 + #].

Disarm All Areas

1. Enter your code followed by 0 and then the # key [eg. 2580 + 0 + #].

This function allows a code to disarm all areas that the code is assigned to at the same time without the need to disarm each area individually.

Isolating Zones

Standard Isolating

1. Press the * key twice.
2. Enter the zone number that you want to isolate followed by the * key.

Repeat step 2 if more than one zone is required to be isolated.
3. Press the # key to exit when finished.

Code To Isolate

1. Press the * key once.
2. Enter your user code.
3. Enter the zone number that you want to isolate followed by the * key.

Repeat step 2 if more than one zone is required to be isolated.
4. Press the # key to exit when finished.

Set First Test Report

1. Enter the Installer Code followed by 1 and the # key [eg. 1234 + 1 + #].
2. Enter the Number Of Days (0 – 15) to wait until first test report followed by the # key.

Event Memory Recall

1. Enter the Installer Code or Master Code followed by 8 and the # key. [eg. 1234 + 8 + #].

The last 40 events (non partitioned) or last 10 events (partitioned) will be displayed in reverse order (i.e. most recent to least recent).

Walk Test Mode

1. Enter the Installer Code or Master Code followed by 7 and the # key. [eg. 1234 + 7 + #].
2. Test each zone as required.
3. Press the # key to exit.

Satellite Siren Service Mode

1. Enter the Installer Code followed by 5 and the # key [eg. 1234 + 5 + #].

Telephone Monitor Mode (Toggle On/Off)

1. Enter the Installer Code followed by 6 and the # key [eg. 1234 + 6 + #].
2. Press and hold the 9 key until two beeps are heard to send a test report.
3. Repeat Step 1 to turn telephone monitor mode off when complete

Zone LED	Dialling Event
1	Telephone Line Seized
2	Dialling Telephone Number
3	Handshake Received
4	Data Being Sent
5	Kiss-Off Received
None	Released Telephone Line

Add A User Code

1. Enter the Master Code followed by 1 and the # key [eg. 2580 + 1 + #].
2. Enter the User Number (1 – 16) that you want to add / change followed by the # key.
3. Enter the New Code followed by the # key.

Add RF Keyfob

1. Enter the Master Code followed by 1 and the # key [eg. 2580 + 1 + #].
2. Enter the User Number (9 – 16) that you want to add followed by the # key.
3. Press any button on the RF keyfob for the system to learn the RF ID.

Note: Only User Codes 9 – 16 can be programmed as RF users.

Delete A User Code / RF Keyfob

1. Enter the Master Code followed by 1 and the # key [eg. 2580 + 1 + #].
2. Enter the User Number (1 – 16) that you want to delete followed by the # key.
3. Press the * key to delete the user code.

Change Domestic Telephone Numbers

1. Enter the Installer Code or Master Code followed by 2 and the # key. [eg. 1234 + 2 + #].
2. Enter the digits for the telephone number.
3. If more than one telephone number, press the * key followed by the 4 key (inserts break between phone numbers) and repeat Step 2, else press the # key to exit.

Turn Outputs On/Off

1. Enter the Master Code followed by 5 and the # key [eg. 2580 + 5 + #].
2. Enter the Output Number (1 – 3) that you want to toggle on or off.
3. Press the # key to toggle On or the * key to toggle Off.
4. Press the # key to exit.

Setting Date and Time

1. Enter the Master Code followed by 6 and the # key [eg. 2580 + 6 + #].
2. Enter the day (DD), month (MM) and year (YY) followed by the hour (HH) and minute (MM).
3. Press the # key to exit.

Day Alarm – Toggle On/Off

1. Press and hold the 4 key until two beeps are heard. Day alarm will toggle on or off.

STAY Mode 2 Zones - Program

1. Enter the Installer Code or Master Code followed by 4 and the # key.
[eg. 1234 + 4 + #].
2. Enter the Zone Number that you want the system to automatically isolate followed by the * key.

Repeat if more than one zone to be automatically isolated when armed in STAY Mode 2.

3. Press the # key to exit.

Fault Analysis

1. Press and hold the 5 key until two beeps are heard.
2. Zone Indicators will display FAULT condition (see table below).
3. Press # key to exit.

Zone LED	FAULT Condition
1	Battery Low
2	Date / Time Reset
3	Sensor Watch Fail
4	Horn Speaker Fail
5	Telephone Line Fail
6	EPROM Fail
7	Fuse Fail
8	Communication Fail

Modem Call (Alarm Link)

1. Press and hold the 6 key until two beeps are heard.

Latching Outputs (Reset)

1. Press and hold the 7 key until two beeps are heard.

Codepad ID / Buzzer Tone

1. Press and hold the 8 key until the desired buzzer tone has been reached.

If the system has been partitioned, the Codepad will display a number to identify which area the Codepad belongs to (see table below).

2. Press the # key to exit.

Zone LED	Codepad Assignment
1	Area 1
2	Area 2
7	Master Partitioned Codepad

Test Report

1. Press and hold the 9 key until two beeps are heard.

Speaker Test

1. Press and hold the 1 key until two beeps are heard. The speaker will sound for two seconds.

Bell Test

1. Press and hold the 2 key until two beeps are heard. The piezo will sound for two seconds.

Strobe Test (Toggle On/Off)

1. Press and hold the 3 key until three beeps are heard to turn the strobe on.
2. Press and hold the 3 key until two beeps are heard to turn the strobe off.

Telco Arm Sequence (Call Forward On)

1. Enter your Installer Code or Master Code followed by 3 and the # key.
(eg. 1234 + 3 + #).
2. Press 1 followed by the # key.
3. Enter the Call Forward On sequence.
4. Press the # key to exit.

Telco Disarm Sequence (Call Forward Off)

1. Enter your Installer Code or Master Code followed by 3 and the # key.
(eg. 1234 + 3 + #).
2. Press 2 followed by the # key.
3. Enter the Call Forward Off sequence.
4. Press the # key to exit.

Location 000 – 015

Phone Number 1 - Receiver 1*(0=10 and telephone termination = 0, anywhere else 0=0)*

0 0 0 0 0 0 0 0 0 0 0 0 0 0 0 0 0 0

Location 016 – 031

Phone Number 2 – Receiver 1*(0=10 and telephone termination = 0, anywhere else 0=0)*

0 0 0 0 0 0 0 0 0 0 0 0 0 0 0 0 0 0

Location 032

Handshake Tone For Receiver 1

1 = HI-LO Handshake (Contact ID)
 2 = 1400 Hz (Ademco TX @ 1900 Hz)
 3 = 2300 Hz (Sescoa TX @ 1800 Hz)

4 = No Handshake
 5 = Pager

1

Location 033

Transmission Format For Receiver 1

1 = Contact ID
 2 = 4 + 2 Expressed
 3 = FSK 300 Baud

4 = Domestic
 5 = Basic Pager

1

Location 034 - 039

Subscriber ID Number For Receiver 1*(right justified)*

0 0 0 0 0 0

Location 040 – 055

Phone Number 1 - Receiver 2*(0=10 and telephone termination = 0, anywhere else 0=0)*

0 0 0 0 0 0 0 0 0 0 0 0 0 0 0 0 0 0

Location 056 – 071

Phone Number 2 - Receiver 2*(0=10 and telephone termination = 0, anywhere else 0=0)*

0 0 0 0 0 0 0 0 0 0 0 0 0 0 0 0 0 0

Location 072

Handshake Tone For Receiver 2

1 = HI-LO Handshake (Contact ID)
 2 = 1400 Hz (Ademco TX @ 1900 Hz)
 3 = 2300 Hz (Sescoa TX @ 1800 Hz)

4 = No Handshake
 5 = Pager

1

Location 073

Transmission Format For Receiver 2

1 = Contact ID
 2 = 4 + 2 Expressed
 3 = FSK 300 Baud

4 = Domestic
 5 = Basic Pager

1

Location 074 - 079

Subscriber ID Number For Receiver 2*(right justified)*

0 0 0 0 0 0

Location 80

Dialling Format

1 = Australian DTMF
 2 = Australian Decadic
 3 = Alternate DTMF & Decadic (Aust)

4 = International DTMF
 5 = Reversed Decadic
 6 = Alternate DTMF & Reversed Decadic

1

Location 081 – 112

Reserved

Location 113 – 142

Telco Arming Sequence (Call Forward On)

0 0

Location 143 – 158

Telco Disarm Sequence (Call Forward Off)

0 0 0 0 0 0 0 0 0 0 0 0 0 0 0 0 0 0

Location 159 – 174

Call Back Telephone Number*(0=10 and telephone termination = 0, anywhere else 0=0)*

0 0 0 0 0 0 0 0 0 0 0 0 0 0 0 0 0 0

Location 175

Ring Count

0 = Panel Will Not Answer
 1 – 13 = No Of Rings Until Panel Answers

14 = Answering Machine Bypass 2
 15 = Answering Machine Bypass 1

8

Location 176

Telephone Line Fail Options

1 = Display FAULT Indicator When Telephone Line Fails
 2 = Sound Alarm When System Is Armed
 4 = Sound Alarm When System Is Disarmed
 Note: Option 2 & 4 Must Be Used In Conjunction With Option 1
 (Eg. Program a 1, 3, 5 or 7)

0

Location 177

Dialler Options 1

- 1 = Dialler Reporting Functions Allowed
- 2 = Remote Arming Via Telephone Allowed
- 4 = Answering Machine Bypass Only When Armed
- 8 = Use Bell 103 For FSK Format (Disabled = CCITT V21)

9

Location 178

Dialler Options 2

- 1 = Open/Close Reports Only If Previous Alarm
- 2 = Open/Close Reports For STAY Mode 1 and STAY Mode 2
- 4 = Delay Siren Until Transmission Complete
- 8 = Extend Handshake Wait Time From 30 To 55 Seconds

0

Location 179

Dialler Options 3

- 1 = Set DTMF Dialling Pulses To 1 Digit/Second
- 2 = Reserved
- 4 = Change Decadic Dialling To 60/40
- 8 = Reserved

0

Location 180

Alarm Link Options

- 1 = Upload/Download Allowed
- 2 = Call Back Phone Number Required For Upload/Download
- 4 = Exit Upload/Download Connection On Alarm
- 8 = External Modem Module (CC811) Required

3

Location 181 - 184

Installer Code

1 2 3 4

Location 185 - 264

User Codes

<p>User #01</p> <p>Location 185 - 188</p> <p>2 5 8 0</p> <p>189</p> <p>10</p> <p>Authority Level</p>	<p>User #02</p> <p>Location 190 - 193</p> <p>15 15 15 15</p> <p>194</p> <p>2</p> <p>Authority Level</p>	<p>User #03</p> <p>Location 195 - 198</p> <p>15 15 15 15</p> <p>199</p> <p>2</p> <p>Authority Level</p>
<p>User #04</p> <p>Location 200 - 203</p> <p>15 15 15 15</p> <p>204</p> <p>2</p> <p>Authority Level</p>	<p>User #05</p> <p>Location 205 - 208</p> <p>15 15 15 15</p> <p>209</p> <p>2</p> <p>Authority Level</p>	<p>User #06</p> <p>Location 210 - 213</p> <p>15 15 15 15</p> <p>214</p> <p>2</p> <p>Authority Level</p>
<p>User #07</p> <p>Location 215 - 218</p> <p>15 15 15 15</p> <p>219</p> <p>2</p> <p>Authority Level</p>	<p>User #08</p> <p>Location 220 - 223</p> <p>0 15 15 15</p> <p>224</p> <p>3</p> <p>Authority Level</p>	<p>RF User #09</p> <p>Location 225 - 228</p> <p>15 15 15 15</p> <p>229</p> <p>2</p> <p>Authority Level</p>
<p>RF User #10</p> <p>Location 230 - 233</p> <p>15 15 15 15</p> <p>234</p> <p>2</p> <p>Authority Level</p>	<p>RF User #11</p> <p>Location 235 - 238</p> <p>15 15 15 15</p> <p>239</p> <p>2</p> <p>Authority Level</p>	<p>RF User #12</p> <p>Location 240 - 243</p> <p>15 15 15 15</p> <p>244</p> <p>2</p> <p>Authority Level</p>
<p>RF User #13</p> <p>Location 245 - 248</p> <p>15 15 15 15</p> <p>249</p> <p>2</p> <p>Authority Level</p>	<p>RF User #14</p> <p>Location 250 - 253</p> <p>15 15 15 15</p> <p>254</p> <p>2</p> <p>Authority Level</p>	<p>RF User #15</p> <p>Location 255 - 258</p> <p>15 15 15 15</p> <p>259</p> <p>2</p> <p>Authority Level</p>
<p>RF User #16</p> <p>Location 260 - 263</p> <p>15 15 15 15</p> <p>264</p> <p>2</p> <p>Authority Level</p>		

Authority Level	Description
0	Arm/Disarm
1	Arm Only
2	Arm/Disarm + Open/Close Reports
3	Arm Only + Close Reports
4	Arm/Disarm + Code Required To Isolate
6	Arm/Disarm + Open/Close Reports + Code Required To Isolate
8	Master Code + Arm/Disarm
10	Master Code + Arm/Disarm + Open/Close Reports
12	Master Code + Arm/Disarm + Code Required To Isolate
14	Master Code + Arm/Disarm + Code Required To Isolate + Open/Close Reports

Location 265

Day Alarm Zones

1 = Zone 1
2 = Zone 2

4 = Zone 3
8 = Zone 4

0

Location 266

EOL Resistor Value

0 = No EOL
1 = 1K
2 = 1K5
3 = 2K2
4 = 3K3
5 = 3K9

6 = 4K7
7 = 5K6
8 = 6K8
9 = 10K
10 = 12K
11 = 22K

12 = Reserved
13 = Reserved
14 = Reserved
15 = Split EOL (3K3/6K8)
Eight Burglary Zones

15

Location 267 - 322

Zone Defaults

Location Zone #01 (Default = Delay-1)	267 Zone Type 2	268 Zone Pulse Count 0	269 Zone Pulse Count Time 0	270 Zone Options 1 1	271 Zone Options 2 14	272 Report Code 1	273 Dialler Options 1
Location Zone #02 (Default = Handover)	274 Zone Type 1	275 Zone Pulse Count 0	276 Zone Pulse Count Time 0	277 Zone Options 1 1	278 Zone Options 2 14	279 Report Code 1	280 Dialler Options 1
Location Zone #03 (Default = Handover)	281 Zone Type 1	282 Zone Pulse Count 0	283 Zone Pulse Count Time 0	284 Zone Options 1 1	285 Zone Options 2 14	286 Report Code 1	287 Dialler Options 1
Location Zone #04 (Default = Handover)	288 Zone Type 1	289 Zone Pulse Count 0	290 Zone Pulse Count Time 0	291 Zone Options 1 1	292 Zone Options 2 14	293 Report Code 1	294 Dialler Options 1
Location Zone #05 (Default = Instant)	295 Zone Type 0	296 Zone Pulse Count 0	297 Zone Pulse Count Time 0	298 Zone Options 1 1	299 Zone Options 2 14	300 Report Code 1	301 Dialler Options 1
Location Zone #06 (Default = Instant)	302 Zone Type 0	303 Zone Pulse Count 0	304 Zone Pulse Count Time 0	305 Zone Options 1 1	306 Zone Options 2 14	307 Report Code 1	308 Dialler Options 1
Location Zone #07 (Default = Instant)	309 Zone Type 0	310 Zone Pulse Count 0	311 Zone Pulse Count Time 0	312 Zone Options 1 1	313 Zone Options 2 14	314 Report Code 1	315 Dialler Options 1
Location Zone #08 (Default = 24 Hr Tamper)	316 Zone Type 9	317 Zone Pulse Count 0	318 Zone Pulse Count Time 0	319 Zone Options 1 1	320 Zone Options 2 12	321 Report Code 1	322 Dialler Options 1

Zone Types

Zone Type	Description	Zone Type	Description
0	Instant	8	24 Hr Hold-Up
1	Handover	9	24 Hr Tamper
2	Delay-1	10	Reserved
3	Delay-2	11	Keyswitch
4	Reserved	12	24 Hr Burglary
5	Reserved	13	24 Hr Fire
6	24 Hr Medical	14	Chime
7	24 Hr Panic	15	Not Used

Zone Pulse Count

The pulse count allows you to program how many pulses (0 – 15) need to be registered within the pulse count time to activate an alarm.

Zone Pulse Count Time

Option	20ms Loop Response Time	Option	150 ms Loop Response Time
0	0.5 Seconds	8	20 Seconds
1	1 Second	9	30 Seconds
2	2 Seconds	10	40 Seconds
3	3 Seconds	11	50 Seconds
4	4 Seconds	12	60 Seconds
5	5 Seconds	13	90 Seconds
6	10 Seconds	14	120 Seconds
7	15 Seconds	15	200 Seconds

Zone Options 1

Option	Description
1	Lockout Siren/Dialler
2	Delay Alarm Report
4	Silent Alarm
8	Sensor Watch

Zone Options 2

Option	Group
1	Isolated In STAY Mode 1
2	Zone Isolation Allowed
4	Forced Arming Allowed
8	Zone Restore Report Allowed

Zone Dialler Options

Option	Group
0	No Zone Reports Allowed
1	Report To Receiver 1
2	Report To Receiver 2
4	Report To Both Receiver 1 & Receiver 2
8	Report To Receiver 2 Only If Receiver 1 Fails

Keyswitch Zone Options

The keyswitch zone options replace Zone Options 1 only for the zones that have been programmed to operate as a keyswitch zone.

Option	Description
0	Latching Arm and Disarm In AWAY Mode
1	Latching Arm In AWAY Mode
2	Latching Disarm From AWAY Mode Or STAY Mode
4	Latching Arm and Disarm In STAY Mode
5	Latching Arm In STAY Mode
6	Latching Disarm From STAY Mode
8	Momentary Arm and Disarm In AWAY Mode
9	Momentary Arm In AWAY Mode
10	Momentary Disarm From AWAY Mode Or STAY Mode
12	Momentary Arm and Disarm In STAY Mode
13	Momentary Arm In STAY Mode
14	Momentary Disarm From STAY Mode

Location 323	Swinger Shutdown Count For Siren	0 = Unlimited / 1 - 15 = Number Of Times Siren Operate Till Lockout	3
Location 324	Swinger Shutdown Count For Dialler	0 = Unlimited / 1 - 15 = Number Of Times Dialler Operate Till Lockout	6
Location 325 - 326	Zone Status - Bypass Reports	Location 325 = Zone Bypass Report Location 326 = Zone Bypass Restore Report	9 8
Location 327 - 328	Zone Status - Trouble Reports	Location 327 = Zone Bypass Report Location 328 = Zone Bypass Restore Report	2 3
Location 329 - 330	Zone Status - Sensor Watch Reports	Location 329 = Zone Trouble Report Location 330 = Zone Trouble Restore Report	4 5
Location 331	Zone Status - Alarm Restore Code		14
Location 332	Zone Status Reporting Options	0 = No Zone Status Reports Allowed 1 = Report To Receiver 1 2 = Report To Receiver 2 4 = Report To Both Receiver 1 & Receiver 2 8 = Report To Receiver 2 Only If Receiver 1 Fails	1
Location 333 - 334	Open/Close Reports	Location 333 = Open Report Location 334 = Close Report	11 12
Location 335	Open/Close Reporting Options	0 = No Open/Close Reports Allowed 1 = Report To Receiver 1 2 = Report To Receiver 2 4 = Report To Both Receiver 1 & Receiver 2 8 = Report To Receiver 2 Only If Receiver 1 Fails	1
Location 336	Codepad Duress Report		6
Location 337 - 338	Codepad Panic Report	Location 337 = Tens Digit Location 338 = Units Digit	7 15
Location 339 - 340	Codepad Fire Report	Location 339 = Tens Digit Location 340 = Units Digit	7 14
Location 341 - 342	Codepad Medical Report	Location 341 = Tens Digit Location 342 = Units Digit	7 13
Location 343	Codepad Reporting Options	0 = No Codepad Alarm Reports Allowed 1 = Report To Receiver 1 2 = Report To Receiver 2 4 = Report To Both Receiver 1 & Receiver 2 8 = Report To Receiver 2 Only If Receiver 1 Fails	1
Location 344 - 345	System Status - Fuse Fail Report	Location 344 = Tens Digit Location 345 = Units Digit	10 3
Location 346 - 347	System Status - Fuse Fail Restore Report	Location 346 = Tens Digit Location 347 = Units Digit	10 8
Location 348 - 349	System Status - AC Fail Report	Location 348 = Tens Digit Location 349 = Units Digit	10 2
Location 350 - 351	System Status - AC Fail Restore Report	Location 350 = Tens Digit Location 351 = Units Digit	10 7

Location 352 - 353

System Status - Low Battery Report

Location 352 = Tens Digit
Location 353 = Units Digit

10 1

Location 354 - 355

System Status - Low Battery Restore Report

Location 354 = Tens Digit
Location 355 = Units Digit

10 6

Location 356 - 358

System Status - Access Denied (Code Retry)

Location 356 = Code Retry Limit (0 = Unlimited)
Location 357 = Tens Digit
Location 358 = Units Digit

356 357 358
6 7 12

Location 359

System Status Reporting Options

0 = No Codepad Alarm Reports Allowed
1 = Report To Receiver 1
2 = Report To Receiver 2
4 = Report To Both Receiver 1 & Receiver 2
8 = Report To Receiver 2 Only If Receiver 1 Fails

1

Location 360 - 366

Test Report Time (Automatic)

Location 360 = Hour Of Day (Tens Digit)
Location 361 = Hour Of Day (Units Digit)
Location 362 = Minute Of Day (Tens Digit)
Location 363 = Minute Of Day (Units Digit)
Location 364 = Test Report (Tens Digit)
Location 365 = Test Report (Units Digit)
Location 366 = Repeat Interval In Days

360 361 362 363 364 365 366
0 0 0 0 7 1 0
H H M M Tens/Units Interval
Report Code

Location 367

Test Reporting Dialler Options

0 = No Codepad Alarm Reports Allowed
1 = Report To Receiver 1
2 = Report To Receiver 2
4 = Report To Both Receiver 1 & Receiver 2
8 = Report To Receiver 2 Only If Receiver 1 Fails

1

Location 368 - 397

Outputs

Output 1

Default = Horn Speaker

368 369
1 14
Event Code

370
0
Polarity

371
0
Time Base

372 373
0 0
Time Base Multiplier

Output 2

Default = Fire Alarm With Verification

374 375
2 7
Event Code

376
10
Polarity

377
2
Time Base

378 379
1 5
Time Base Multiplier

Strobe Output

Default = Strobe (Reset After 8 Hrs)

380 381
2 0
Event Code

382
6
Polarity

383
4
Time Base

384 385
0 8
Time Base Multiplier

Relay Output

Default = Sirens Running

386 387
1 15
Event Code

388
1
Polarity

389
0
Time Base

390 391
0 0
Time Base Multiplier

Codepad Buzzer

Default = Entry/Exit Warning + Day Alarm

392 393
0 13
Event Code

394
2
Polarity

395
1
Time Base

396 397
0 1
Time Base Multiplier

Event Codes

Event Code	Description	Event Code	Description
0 0	EDMSAT – Satellite Siren (Output 1 Only)	1 0	Day Alarm Enabled
0 1	System Armed	1 1	Telephone Line Fail
0 2	System Disarmed	1 2	Kiss-Off Received
0 3	Armed In STAY Mode	1 3	Fuse Fail
0 4	Armed In AWAY	1 4	AC Fail
0 5	Pre-Arming Alert	1 5	Low Battery
0 6	Exit Warning (All Zones Sealed) + Entry Warning	1 6	Horn Speaker Fail
0 7	Exit Warning	1 7	Sensor Watch Alarm
0 8	Exit Warning Finished	1 8	Codepad Medical Alarm
0 9	Kiss-Off After End Of Exit Time	1 9	Codepad Fire Alarm
0 10	Reserved	1 10	Codepad Panic Alarm
0 11	Entry Warning	1 11	Codepad Duress Alarm
0 12	Entry Warning + Day Alarm Resetting	1 12	Access Denied (Code Retries)
0 13	Exit Warning + Entry Warning + Day Alarm Resetting	1 13	Reserved
0 14	Day Alarm Resetting	1 14	Horn Speaker (Output 1 Only)
0 15	Day Alarm Latching	1 15	Sirens Running

2	0	Strobe	4	3	Reserved
2	1	Silent Alarm	4	4	Reserved
2	2	Alarm In STAY Mode	4	5	Chime
2	3	Alarm In AWAY Mode	4	6	Zone Not Sealed
2	4	System Fault	4	7	Zone Not Sealed After Exit Time
2	5	Fire Alarm (Resetting)	4	8	Reserved
2	6	Fire Alarm (Latching)	4	9	AC Mains Cycle (60 Hz Or 50 Hz)
2	7	Fire Alarm (Verification)	4	10	Area 1 - Zone Unsealed
2	8	Remote Control 1	4	11	Area 2 - Zone Unsealed
2	9	Remote Control 2	4	12	Reserved
2	10	Remote Control 3	4	13	Reserved
2	11	Radio Control Output 1	4	14	Reserved
2	12	Radio Control Output 2	4	15	Reserved
2	13	Radio Control Output 1 - Not In AWAY Mode	5	0	Reserved
2	14	Radio Control Output 2 - Not In AWAY Mode	5	1	Reserved
2	15	Communications Fail After 3 Attempts	5	2	Area 1 In Alarm
3	0	Communications Fail	5	3	Area 2 In Alarm
3	1	Dialler Disabled	5	4	Reserved
3	2	Dialler Active (On-Line)	5	5	Reserved
3	3	Ring Detect	5	6	Area 1 Armed
3	4	Reserved	5	7	Area 2 Armed
3	5	Mimic Zone 1	5	8	Reserved
3	6	Mimic Zone 2	5	9	Reserved
3	7	Mimic Zone 3	5	10	Area 1 Disarmed
3	8	Mimic Zone 4	5	11	Area 2 Disarmed
3	9	Mimic Zone 5	5	12	Reserved
3	10	Mimic Zone 6	5	13	Reserved
3	11	Mimic Zone 7	5	14	Any Areas Armed
3	12	Mimic Zone 8	5	15	Any Areas Disarmed
4	0	Reserved	6	0	Area 1 Codepad Data Terminal
4	1	Reserved	6	1	Area 2 Codepad Data Terminal
4	2	Reserved			

Polarity (Modes)

Option	Description	Option	Description
0	Disabled	7	Reserved
1	Normally Open, Going Low	8	Normally Low, Going Open
2	Normally Open, Pulsing Low	9	Normally Low, Pulsing Open
3	Normally Open, One Shot Low	10	Normally Low, One Shot Open
4	Normally Open, One Shot Low (Reset)	11	Normally Low, One Shot Open (Reset)
5	Normally Open, One Shot Low (Re-trigger)	12	Normally Low, One Shot Open (Re-trigger)
6	Normally Open, Latching Low	13	Normally Low, Latching Open

Time Base

Choose one of the options in the table below for the time base.

Option	Description
1	200 ms
2	1 Second
3	1 Minute
4	1 Hour

Time Base Multiplier

Enter a value between 01 – 99.

One Shot Mode

When you program the output polarity as one shot, the time base is multiplied by the time base multiplier (eg. If the time base = 2 and the multiplier = 05, the output will operate for 5 seconds)

Pulsing Mode

When you program the output polarity as pulsing, the time base becomes the 'ON' time and the multiplier becomes the 'OFF' time. The 'OFF' time is the **time base x the multiplier** (eg. If you want the output to pulse one (1) second 'ON' and five (5) seconds 'OFF', you would program time base as one (1) and the multiplier as five (5)).

Location 398 - 399 Entry Time 1	Location 398 = Increments Of 1 Second (0 – 15 Seconds) Location 399 = Increments Of 16 Seconds (0 – 240 Seconds)	<table border="1"><tr><td>4</td><td>1</td></tr></table>	4	1													
4	1																
Location 400 - 401 Entry Time 2	Location 400 = Increments Of 1 Second (0 – 15 Seconds) Location 401 = Increments Of 16 Seconds (0 – 240 Seconds)	<table border="1"><tr><td>8</td><td>2</td></tr></table>	8	2													
8	2																
Location 402 - 403 Exit Time (AWAY/STAY Modes)	Location 402 = Increments Of 1 Second (0 – 15 Seconds) Location 403 = Increments Of 16 Seconds (0 – 240 Seconds)	<table border="1"><tr><td>12</td><td>3</td></tr></table>	12	3													
12	3																
Location 404 - 405 Entry Guard Time For STAY Mode	Location 404 = Increments Of 1 Second (0 – 15 Seconds) Location 405 = Increments Of 16 Seconds (0 – 240 Seconds)	<table border="1"><tr><td>0</td><td>0</td></tr></table>	0	0													
0	0																
Location 406 - 407 Delay Alarm Report Time	Location 406 = Increments Of 1 Second (0 – 15 Seconds) Location 407 = Increments Of 16 Seconds (0 – 240 Seconds)	<table border="1"><tr><td>0</td><td>0</td></tr></table>	0	0													
0	0																
Location 408 - 409 Sensor Watch Time	Location 408 = Increments Of Days (Tens Digit) Location 409 = Increments Of Days (Units Digit)	<table border="1"><tr><td>0</td><td>0</td></tr></table>	0	0													
0	0																
Location 410 Codepad Lockout Time	0 = No Lockout / 1 - 15 = Lockout Time (Increments Of 10 Seconds)	<table border="1"><tr><td>0</td></tr></table>	0														
0																	
Location 411 Siren Run Time	0 = No Siren Time / 1 - 15 = Siren Time In Minutes (Default = 5 Min's)	<table border="1"><tr><td>5</td></tr></table>	5														
5																	
Location 412 Siren Sound Rate	0 = Slowest Frequency / 15 = Fastest Frequency	<table border="1"><tr><td>7</td></tr></table>	7														
7																	
Location 413 Auto Arming Pre-Alert Time	0 = No Pre-Alert Time / 1 - 15 = Pre-Alert Time (Increments Of 5 Min's)	<table border="1"><tr><td>1</td></tr></table>	1														
1																	
Location 414 - 417 Auto Arming Time	Location 414 = Hour Of The Day (Tens Digit) Location 415 = Hour Of The Day (Units Digit) Location 416 = Minute Of The Day (Tens Digit) Location 417 = Minute Of The Day (Units Digit)	<table border="1"><tr><td>414</td><td>415</td><td>:</td><td>416</td><td>417</td></tr><tr><td>0</td><td>0</td><td></td><td>0</td><td>0</td></tr><tr><td>H</td><td>H</td><td></td><td>M</td><td>M</td></tr></table>	414	415	:	416	417	0	0		0	0	H	H		M	M
414	415	:	416	417													
0	0		0	0													
H	H		M	M													
Location 418 - 421 Auto Disarming Time	Location 418 = Hour Of The Day (Tens Digit) Location 419 = Hour Of The Day (Units Digit) Location 420 = Minute Of The Day (Tens Digit) Location 421 = Minute Of The Day (Units Digit)	<table border="1"><tr><td>418</td><td>419</td><td>:</td><td>420</td><td>421</td></tr><tr><td>0</td><td>0</td><td></td><td>0</td><td>0</td></tr><tr><td>H</td><td>H</td><td></td><td>M</td><td>M</td></tr></table>	418	419	:	420	421	0	0		0	0	H	H		M	M
418	419	:	420	421													
0	0		0	0													
H	H		M	M													
Location 422 Kiss-Off Wait Time	Increments Of 500 ms (500 ms - 8 Seconds)	<table border="1"><tr><td>3</td></tr></table>	3														
3																	
Location 423 Reserved		<table border="1"><tr><td>0</td></tr></table>	0														
0																	
Location 424 System Options 1	1 = EDM Smart Lockout Allowed 2 = Horn Speaker Monitor 4 = Strobe Indication For Radio Arm/Disarm 8 = Horn Speaker Beeps For Radio Arm/Disarm	<table border="1"><tr><td>1</td></tr></table>	1														
1																	
Location 425 System Options 2	1 = Codepad Panic To Be Silent 2 = Codepad Fire To Be Silent 4 = Codepad Medical To Be Silent 8 = Access Denied (Code Retries) To Be Silent	<table border="1"><tr><td>0</td></tr></table>	0														
0																	

Location 426

System Options 3

- 1 = AC Fail After 1 Hour (Disabled = After 2 Minutes)
- 2 = Ignore AC Fail
- 4 = Pulse Count Handover Allowed
- 8 = Handover Delay To Be Sequential

8

Location 427

System Options 4

- 1 = Panel To Power Up Disarmed (If Power Reset)
- 2 = Arm/Disarm Tracking On Power Up
- 4 = Internal Crystal To Keep Time
- 8 = Radio Keypad Interface, Night Arm Station Or RE005 Installed

0

Location 428

Consumer Options 1

- 1 = Test Reports Only When Armed
- 2 = Test Report After Siren Reset
- 4 = Auto Arm In STAY Mode 1
- 8 = STAY Indicator To Display Day Alarm Status

0

Location 429

Consumer Options 2

- 1 = Codepad Display Extinguish After 60 Seconds
- 2 = Single Button Arming Allowed (AWAY/STAY Mode 1 & 2)
- 4 = Single Button Disarming Allowed (STAY Mode 1 & 2)
- 8 = Alarm Memory Reset On Disarm

2

Location 430

Consumer Options 3

- 1 = Codepad Fault Beeps Allowed
- 2 = Use Digit 3 For Codepad Duress Alarm (Instead Of Digit 9)
- 4 = Alarms Activate Sirens and Strobe Outputs In STAY Mode 1 & 2
- 8 = Reserved

5

Location 431

Radio Input Options

- 1 = Radio Receiver (WE800)
- 2 = Latching Keypad Input
- 3 = Momentary Keypad Input
- 4 = Reserved

0

Location 432

Partitioning Options 1

- 1 = First To Open/Last To Close Reporting Allowed
- 2 = Area 1 Codepad Connected To Data Terminal
- 4 = Reset Sirens From Any Area Allowed
- 8 = Master Codepad To Display AUX Indicator When On-Line

0

Location 433

Partitioning Options 2

- 1 = Lock Area 1 To Receiver 1 & Lock Area 2 To Receiver 2
- 2 = User Codes Allowed To Arm/Disarm Both Areas At Same Time (Code + 0 + #)
- 4 = Reserved
- 8 = Reserved

0

Location 434 - 441

Zone Allocations For Area 1

- Location 434 = Zone 1 LED – Area 1 Codepad
- Location 435 = Zone 2 LED – Area 1 Codepad
- Location 436 = Zone 3 LED – Area 1 Codepad
- Location 437 = Zone 4 LED – Area 1 Codepad
- Location 438 = Zone 5 LED – Area 1 Codepad
- Location 439 = Zone 6 LED – Area 1 Codepad
- Location 440 = Zone 7 LED – Area 1 Codepad
- Location 441 = Zone 8 LED – Area 1 Codepad

434	435	436	437	438	439	440	441
0	0	0	0	0	0	0	0
Z1	Z2	Z3	Z4	Z5	Z6	Z7	Z8

Location 442 - 449

Zone Allocations For Area 2

- Location 442 = Zone 1 LED – Area 2 Codepad
- Location 443 = Zone 2 LED – Area 2 Codepad
- Location 444 = Zone 3 LED – Area 2 Codepad
- Location 445 = Zone 4 LED – Area 2 Codepad
- Location 446 = Zone 5 LED – Area 2 Codepad
- Location 447 = Zone 6 LED – Area 2 Codepad
- Location 448 = Zone 7 LED – Area 2 Codepad
- Location 449 = Zone 8 LED – Area 2 Codepad

442	443	444	445	446	447	448	449
0	0	0	0	0	0	0	0
Z1	Z2	Z3	Z4	Z5	Z6	Z7	Z8

Location 450 - 465

User Code Area Assignment

- 0 = User Code Not Assigned
- 1 = User Code Assigned To Area 1
- 2 = User Code Assigned To Area 2
- 3 = User Code Assigned To Both Area 1 and Area 2

Location User Code 1	⁴⁵⁰ <input type="text" value="0"/>	User Code 2	⁴⁵¹ <input type="text" value="0"/>	User Code 3	⁴⁵² <input type="text" value="0"/>	User Code 4	⁴⁵³ <input type="text" value="0"/>	User Code 5	⁴⁵⁴ <input type="text" value="0"/>	User Code 6	⁴⁵⁵ <input type="text" value="0"/>
Location User Code 7	⁴⁵⁶ <input type="text" value="0"/>	User Code 8	⁴⁵⁷ <input type="text" value="0"/>	User Code 9	⁴⁵⁸ <input type="text" value="0"/>	User Code 10	⁴⁵⁹ <input type="text" value="0"/>	User Code 11	⁴⁶⁰ <input type="text" value="0"/>	User Code 12	⁴⁶¹ <input type="text" value="0"/>
Location User Code 13	⁴⁶² <input type="text" value="0"/>	User Code 14	⁴⁶³ <input type="text" value="0"/>	User Code 15	⁴⁶⁴ <input type="text" value="0"/>	User Code 16	⁴⁶⁵ <input type="text" value="0"/>				

Location 748 - 749

Ring Burst Time (V1.07+)

Location 748 = Increments Of 5 ms (0 – 75 ms)
 Location 749 = Increments Of 80 ms (0 – 1200 ms)

4	6
---	---

Location 900

Default Options

0 = Defaulting System Allowed / 15 = Defaulting System Disabled

0

Location 901 - 904

System Time

Location 901 = Hour Of The Day (Tens Digit)
 Location 902 = Hour Of The Day (Units Digit)
 Location 903 = Minute Of The Day (Tens Digit)
 Location 904 = Minute Of The Day (Units Digit)

901 0	902 0	:	903 0	904 0
H	H		M	M

Location 905 - 910

System Date

Location 905 = Day Of The Month (Tens Digit)
 Location 906 = Day Of The Month (Units Digit)
 Location 907 = Month Of The Year (Tens Digit)
 Location 909 = Month Of The Year (Units Digit)
 Location 910 = Current Year (Tens Digit)
 Location 911 = Current Year (Units Digit)

905 0	906 1	907 0	908 1	909 0	910 1
D	D	M	M	Y	Y

Connections For Split EOL Resistors For 8 Burglary Zones

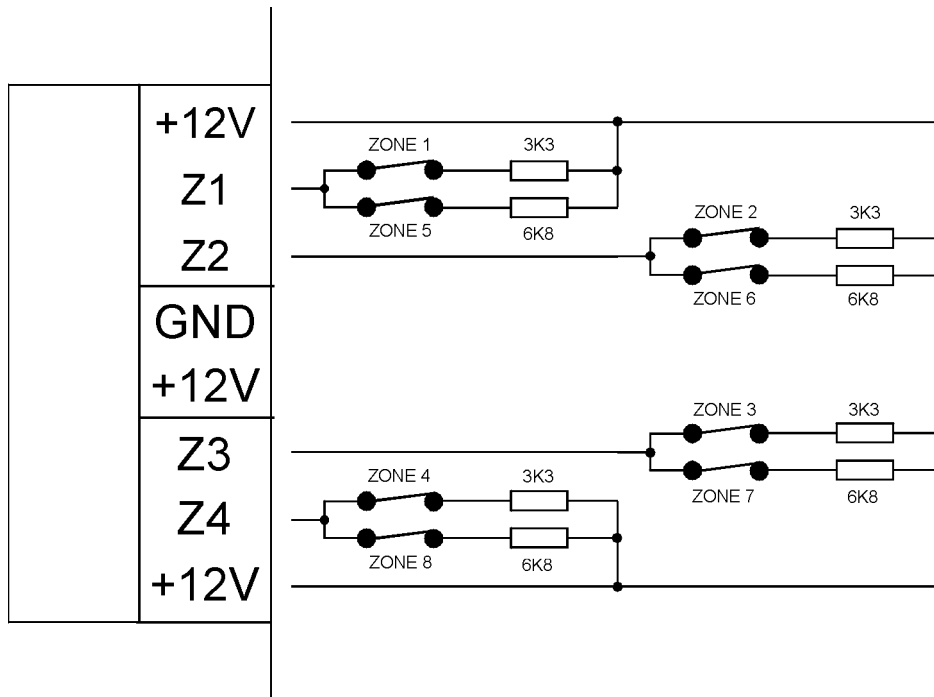


Figure 1: Split EOL Wiring Diagram

Connections For Split EOL Resistors For 8 Zone Operation Using N/O Contacts

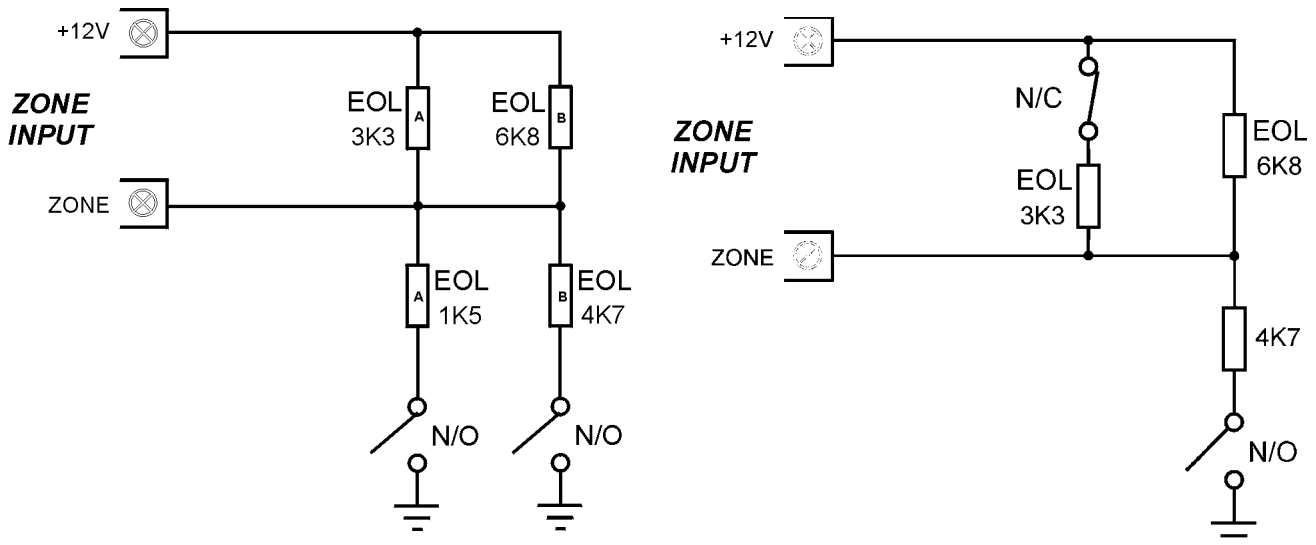


Figure 2: Split EOL Wiring Diagrams Using N/O Contacts

Wiring Diagram For Keyswitch Zone

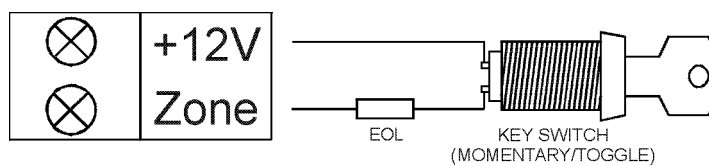


Figure 3: Wiring Diagram For Keyswitch Zone

Wiring Diagram

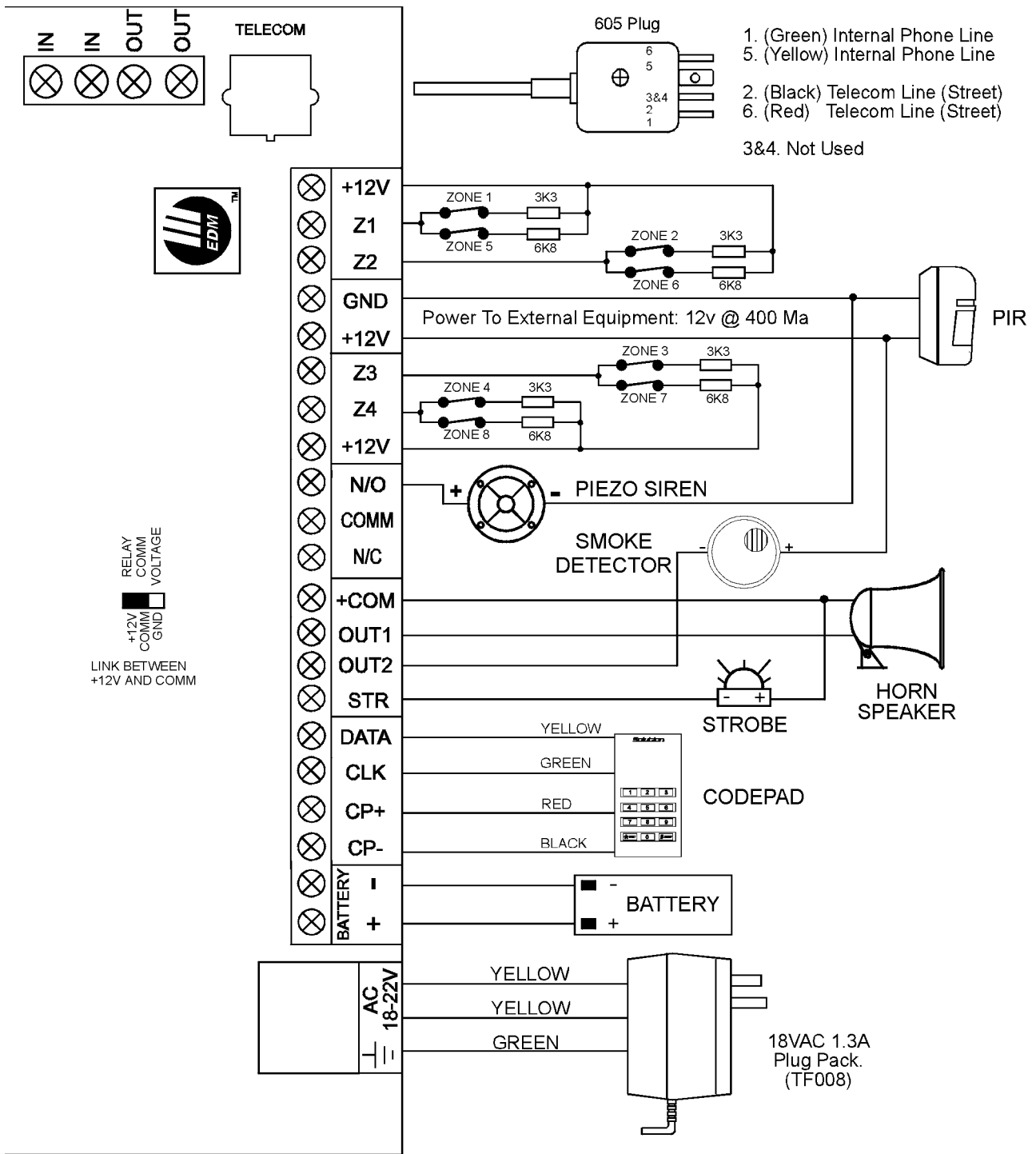


Figure 4: Solution 844 Wiring Diagram

Component Overlay

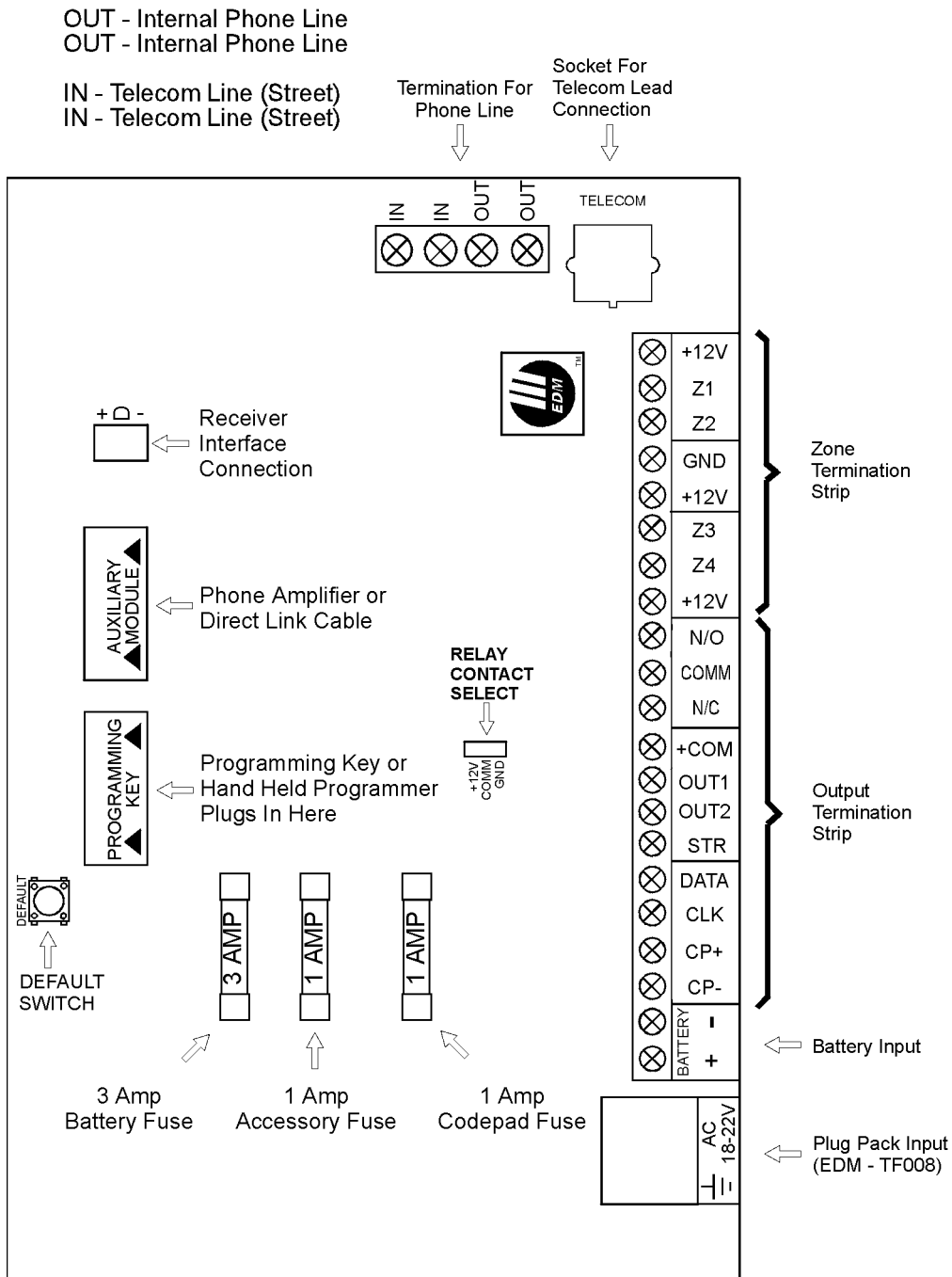


Figure 5: Solution 844 Component Overlay

Solution Wireless On/Off Interface

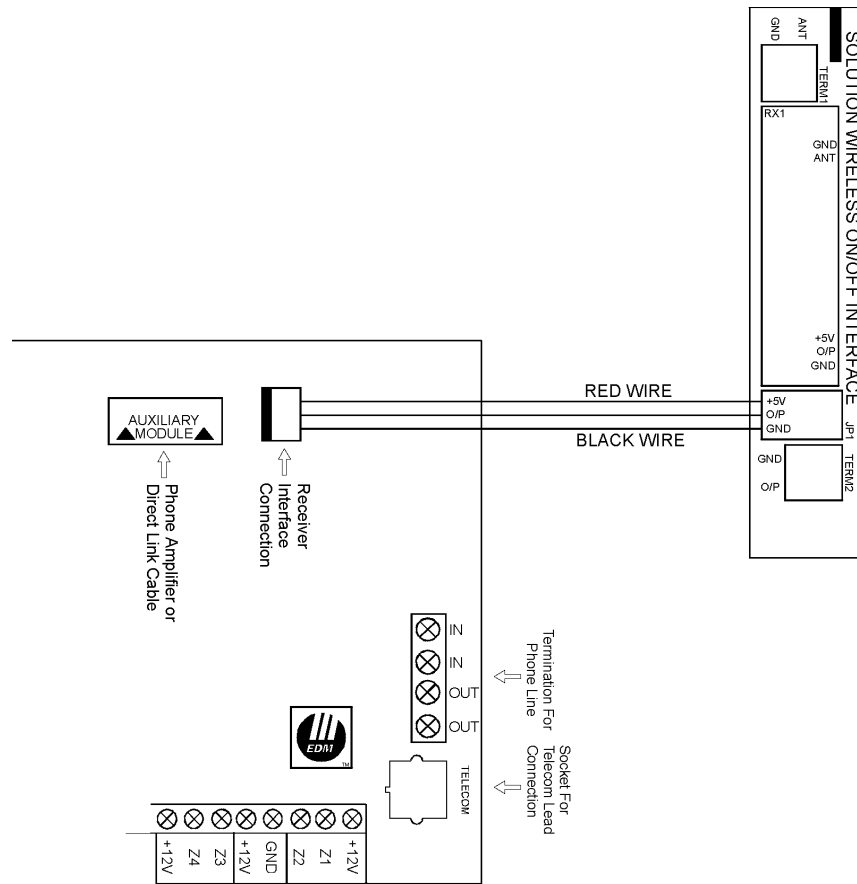


Figure 6: Solution Wireless On/Off Interface

Two-Channel and Four-Channel Keyfobs

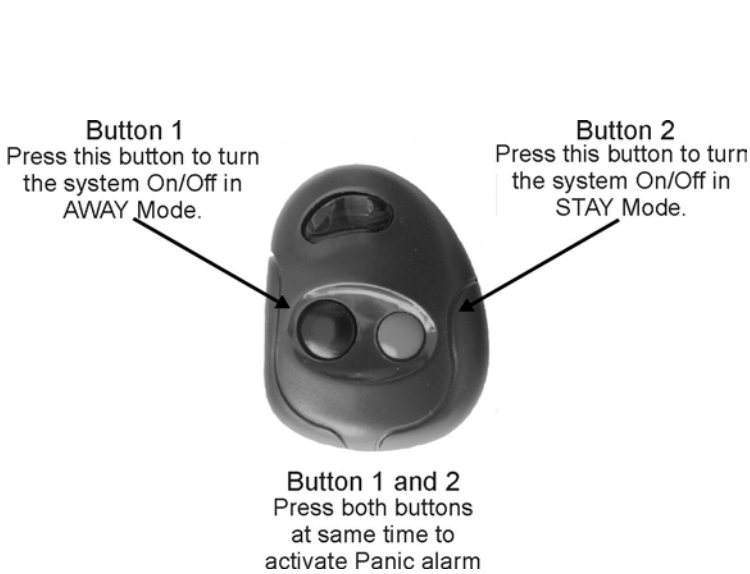


Figure 7: RE012 Two-Channel Keyfob

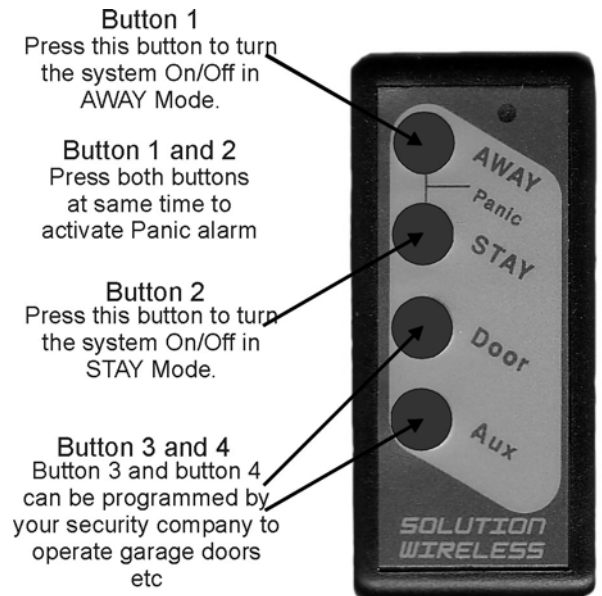
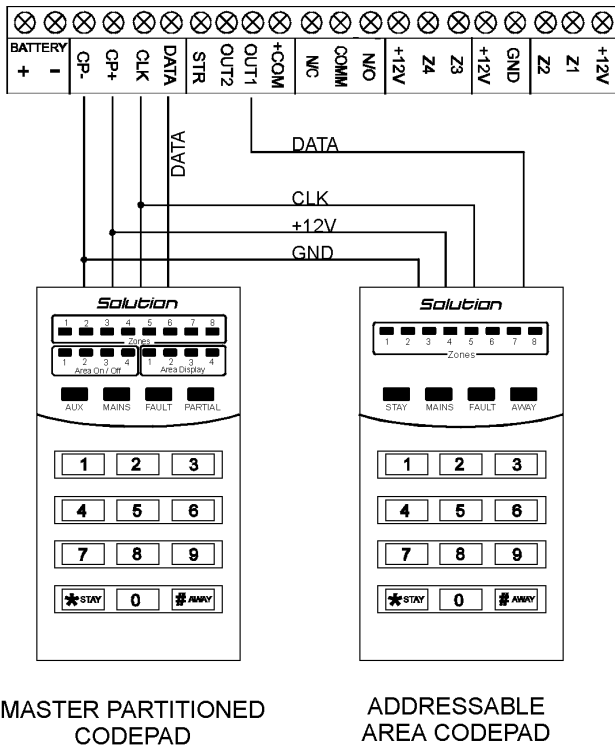


Figure 8: RE013 Four-Channel Keyfob

Codepad Connections For Partitioning



If the “CP-5 Area Addressable (CP500A)” codepad is assigned to **Area 1**, DIP Switch 1 on the back of the remote codepad will need to be in the “ON” position. The following locations for Output 1 will need to be programmed.

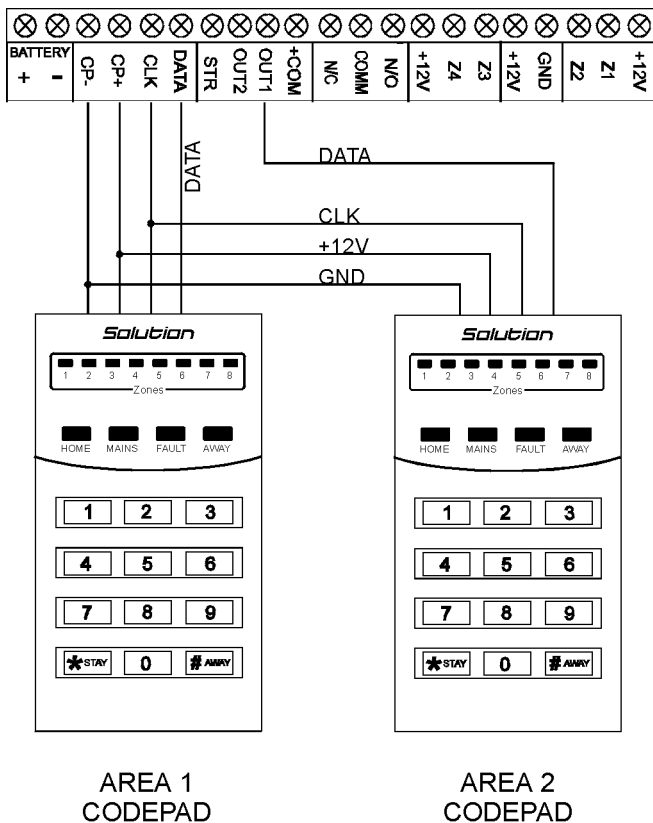
[LOCATION 368 = 6, 369 = 0]

If the “CP-5 Area Addressable (CP500A)” codepad is assigned to **Area 2**, DIP Switch 2 on the back of the remote codepad will need to be in the “ON” position. The following locations for Output 1 will need to be programmed.

[LOCATION 368 = 6, 369 = 1]

Note: A Master Partitioned codepad requires all DIP Switches to be set in the ON position.

Figure 9: Connections For “CP-5 Master Partitioned (CP500P)” Codepad and “CP-5 Area Addressable (CP500A)” Codepad



The following DIP Switch settings and locations must be programmed for the two “CP-5 Area Addressable (CP500A)” codepads to function correctly.

AREA 1 CODEPAD

DIP Switch 1 on the back of the remote codepad will need to be in the “ON” position. The following location will also need to be programmed.

[LOCATION 432, Option bit 2 must be enabled]

AREA 2 CODEPAD - (Output 1)

DIP Switch 2 on the back of the remote codepad will need to be in the “ON” position. The following locations for Output 1 will need to be programmed.

[LOCATION 368 = 6, 369 = 1]

Figure 10: Connections For Two “CP-5 Eight Zone Area Addressable (CP500A)” Codepads



Electronics Design & Manufacturing Pty Limited

A Division Of Detection Systems. Inc.
25 Huntingwood Drive
HUNTINGWOOD NSW 2148
AUSTRALIA

ACN 002 907 271

Telephone: 61-2 9672 1777
Facsimile: 61-2 9672 1717
Email: edm@edm.com.au
